



DECOLAV® SPEC SHEET MODEL NUMBER: 1441 SERIES

PRODUCT DESCRIPTION

Montallegro® Vitreous China Vessel

- Classically Redefined™ Collection
- 15" (38.1 cm) Round
- Vitreous China with Overflow
- High-Gloss Ceramic Finish
- For Above Counter Use
- CSA Certification:
CSA B45.0-02,
CSA B45.1-02,
ASME A112.19.2M-1998



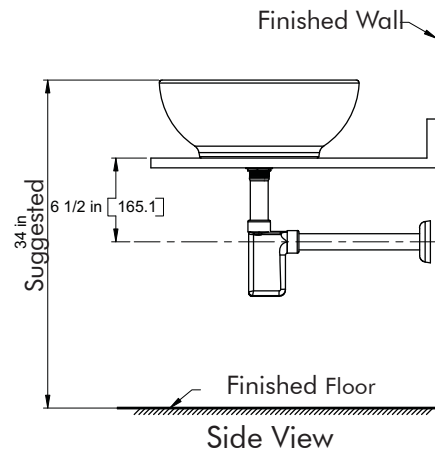
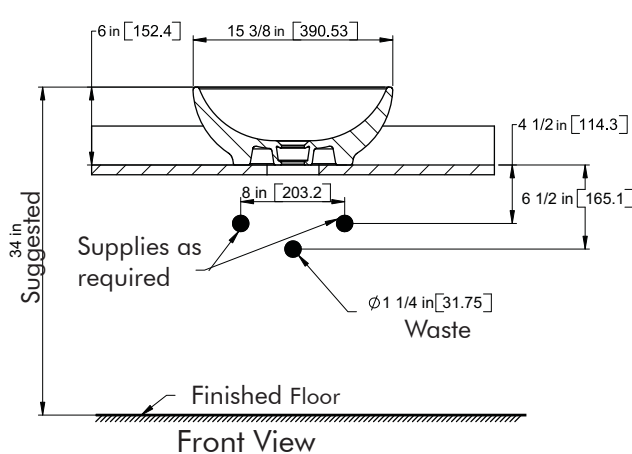
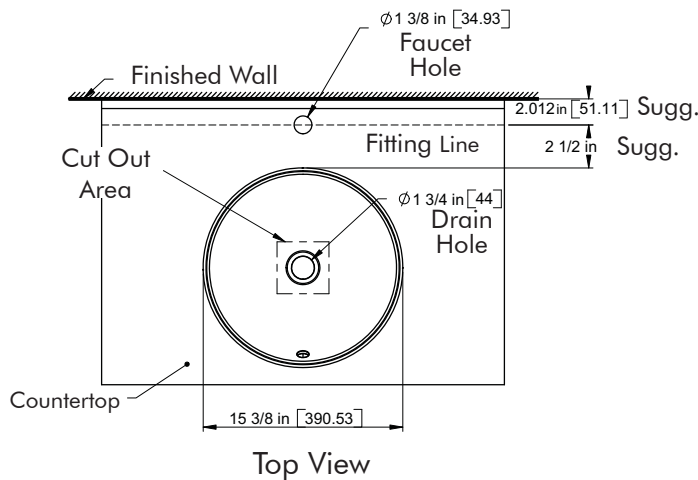
PRODUCT MEASUREMENTS

- Diameter: 15.375 inches (39.05 cm)
- Height: 6 inches (15.24 cm)

RECOMMENDED ACCESSORIES

- DECOLAV® 9295 Grid Drain or
- DECOLAV® 9297 Push Button Closing Umbrella Drain

ROUGHING-IN DIMENSIONS



Customer Service: 561-274-2110
www.decolav.com

LET YOUR DREAMS COME ALIVE, YOUR PASSIONS
BECOME REALITY, BE THE ENVY OF YOUR NEIGHBORS®