

ELKAY[®]

SPECIFICATIONS

Sink Accessories Colanders Models SC1407 and LC1412 Series

GENERAL

Ideal for straining or draining fruits and vegetables. The SC1407 and LC1412 were designed to fit in specific Elkay sink bowls. Colanders manufactured out of a polymer material.

MODELS

SC1407 – Small colander. Designed to fit bowls with dimensions of 7" (178mm) x 14-1/8" (359mm). Available in white (W) color.

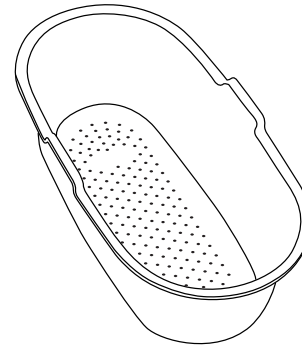
LC1412 – Large colander. Designed to fit bowls with dimensions of 11-3/4" (298mm) x 13-1/4" (337mm). Available in white (W) color.

Sink Model Compatibility

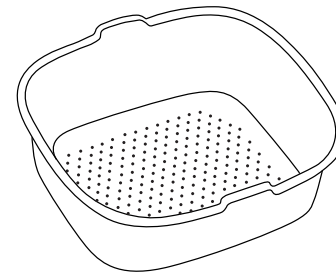
Reference the chart below to determine which Elkay sink models the colanders are designed to work with. The sinks listed below are the only models that Elkay recommends the colanders be used with.

Since these are designed to rest on the flange of the sink, they are not recommended for single bowl undermount sinks that do not have a 1/2" (13mm) reveal.

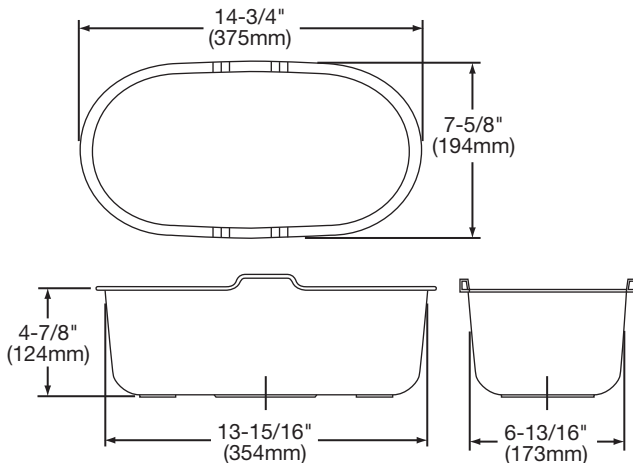
Sink Model	SC1407	LC1412
ECGR332210L/R	X	
ECGR382210L/R		X
ECGR402210	X	
ELUH714	X	
ELUH1113		X
ELUH3221(10)L/R	X	
ELUH3621(10)L/R		X
ELUH3920	X	
ECGR4822L/R	X	
ECGR5322L/R		X



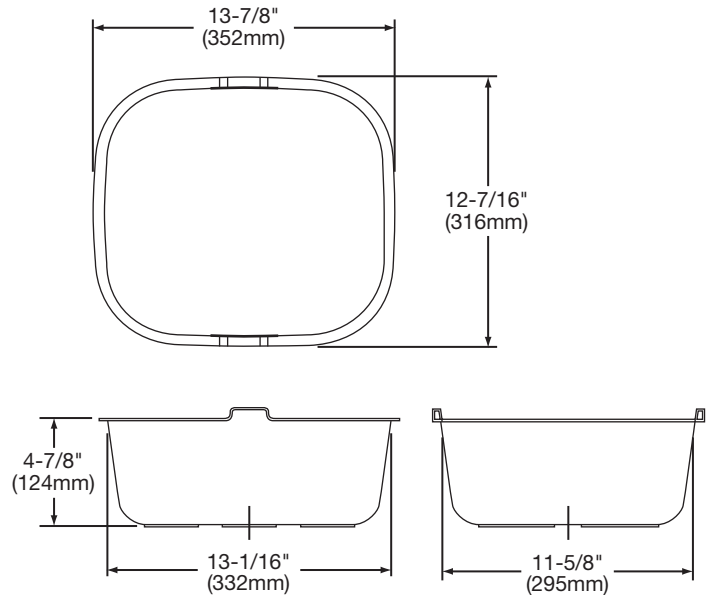
Model SC1407



Model LC1412



Model SC1407 Series Illustrated



Model LC1412 Series Illustrated

In keeping with our policy of continuing product improvement, Elkay reserves the right to change product specifications without notice. Please visit elkayusa.com for most current version of Elkay product specification sheets.

This specification describes an Elkay product with design, quality and functional benefits to the user. When making a comparison of other producers' offerings, be certain these features are not overlooked.