



ECO-VALVE

Figure # 232AB

Low Lead Brass In-line Check Valve

Product Features

- 200# WOG
- Forge Brass Body
- Threaded Ends
- Spring loaded
- Horizontal or Vertical Installation
- NBR Soft Seat
- Low Noise Operation
- Plastic disc (POM)
- AB1953 Certified



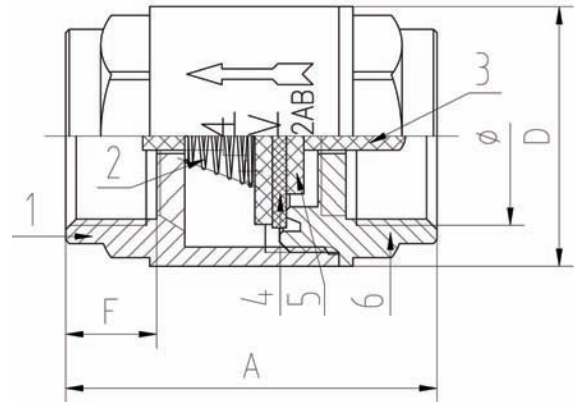
Certified to ANSI/NSF 61



Pressure/Temperature Rating	
200 PSI from 15°F to 160 °F	125 PSI MAX at 366°F

Materials & Specifications

Item	Description	Material	Specification
1	Body	Low Lead Brass	CW510L
2	Spring	SS304	SS304
3	Disk Body	POM	NSF approved
4	Gasket	NBR	NSF approved
5	Disk Seat	POM	NSF approved
6	Cap	Low Lead Brass	CW510L



Dimensions, Weights (inches-lbs.) & Valve Data

Size	1/2	3/4	1	1-1/4	1-1/2	2
A	1.87	2.09	2.26	2.58	2.76	3.15
F	0.47	0.51	0.59	0.59	0.71	0.73
D	1.18	1.46	1.72	2.17	2.47	3.05
Wt	0.25	0.35	0.50	0.83	1.07	1.64

RED-WHITE VALVE CORP.

20600 Regency Lane, Lake Forest, CA 92630

TEL: 949.859.1010 • FAX: 949.859.7200 • www.redwhitevalvecorp.com