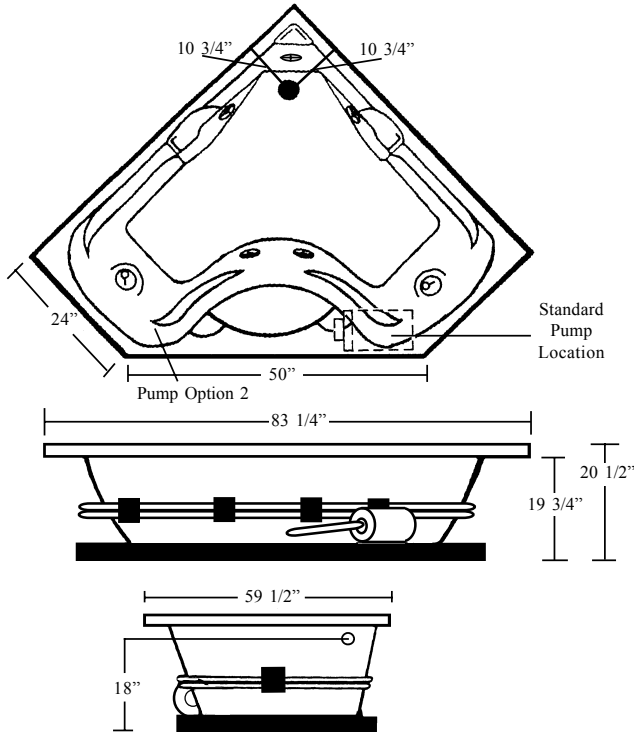


AQUATIC

MONTEREY

GALLERY SERIES MODEL # AI6060CSBM / AI6060CSVTO

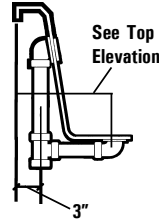


Two Person Bath



ALSO AVAILABLE AS TUB ONLY

Rough-In Plumbing Measurements



EQUIPMENT LEGEND

- Drain
- Standard Pump Location
- Rotary Massage Jet
- Full Size Pressure-Flo Hydrotherapy Jet

Note: Tub Only units do not come standard with the Pre-leveled ABS Support Base except for those ordered with the HotSoak option.

SPECIFICATIONS:

General Specifications:

Tub Size	59 1/2" X 59 1/2" X 20 1/2"
	151 cm x 151 cm x 52 cm
Bathing Well	41 1/2" long
	17 1/2" wide
	19 3/8" interior depth
Shipping Weight	226 lbs. / 103 kg
Tub Weight Filled	927 lbs. / 420 kg
Tub Only Weight	133 lbs. / 60 kg
Gallons to Overflow	89 gal. / 337 L
Gallons to Operate	1 bather: 71 gal. / 269 L
	2 bathers: 52 gal. / 197 L

Electrical Specifications:

Pump	1 HP; 13.2 AMP; 110V
Requirement	15 AMP; 110V, separate circuit required protected w/ Class A GFCI
Optional Heater	1.5 kW; 12.5 AMP; 110V
Requirement	15 AMP; 110V, separate circuit required protected w/ Class A GFCI

Tub Only with Hot Soak Electrical Specifications:

Pump	1/15 HP; 1.3 AMP; 110V
Optional Heater	1.5 kW; 12.5 AMP; 110V
Requirements	20 AMP; 110V, separate circuit required protected w/ Class A GFCI

STANDARD EQUIPMENT:

- **7 Hydrotherapy Jets including:**
- 5 Full Size Pressure-Flo Hydrotherapy Jets
- 2 Recessed Rotary Massage Back Jets
- **Aquatic Quality Features:**
- 1 HP Run-Dry Pump
- Bath-Side On/Off Air Switch
- "Quiet Pad" Anti-Vibration Pump Mount for Quiet Pump Operation
- 4 Arm Rests
- 2 Integrally Molded Safety Grasps
- Slip Resistant Floor
- Pre-leveled ABS Support Base (Whirlpool & Hot Soak)
- Heat-bent Rigid PVC Piping for Optimum Sanitary Conditions
- Durable, Easy to Clean, Lucite® Cast Acrylic Surface
- Available in 8 Standard No-Charge Colors
- **UL & IAPMO Listed, Factory Tested**
- **Limited 10 Year Warranty**

Fax-On-Demand Document # 1063



OPTIONAL EQUIPMENT:

- Chromotherapy LED Lighting
- Comfort Pillow -- Oval or Rectangle
- Jet Finish
- -- Chrome, Polished Brass, Gold, Polished Nickel or Satin Nickel
- Bolt-On Grab Bars
- -- Chrome, Polished Brass, Gold, Polished Nickel or Satin Nickel
- 1.5 kW Inline Maintenance Heater
- HotSoak - Factory Installed Pump & Maintenance Heater (Tub Only)
- Lift & Turn Waste and Overflow
- -- Chrome, Polished Brass, Gold, Polished Nickel or Satin Nickel
- Cable Drive Waste and Overflow
- -- Chrome, Polished Brass, Gold, Polished Nickel, Satin Nickel or Color Matched (Bone, White & Biscuit Only)
- Hand Held Jet
- Factory Installed Rigid ABS Tile Flange
- Decorative Rim Kit -- Chrome or Polished Brass
- 2 HP, 3-Speed Run-Dry Pump Upgrade
- Optional Pump Location
- Remote Pump Location
- Pre-leveled ABS Support Base (Tub Only)
- Color Matched Neo-Angle Acrylic Skirt
- Premium Colors

All acrylic colors featured by Aquatic match the industry's leading fixture manufacturers.

The manufacturer accepts a 1/4" variance. There are variations on each tub and specifications are subject to change as we improve upon our product as required. The dimensions needed for site preparation and structure building should be measured from the tub; Aquatic Industries, Inc. assumes no responsibility for preparatory work.

www.aquaticwhirlpools.com • 800.555.5324