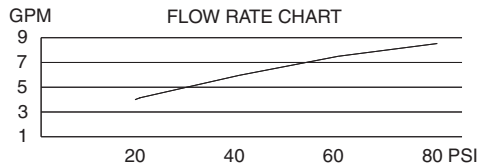


SINGLE HANDLE PRESSURE BALANCE TUB & SHOWER FAUCET

Description

- Single handle with 4" downpour showerhead
- Cast slip-fit spout
- Diverter on valve (Tub & Shower only)
- Back to back installation capabilities

Flow & Valving



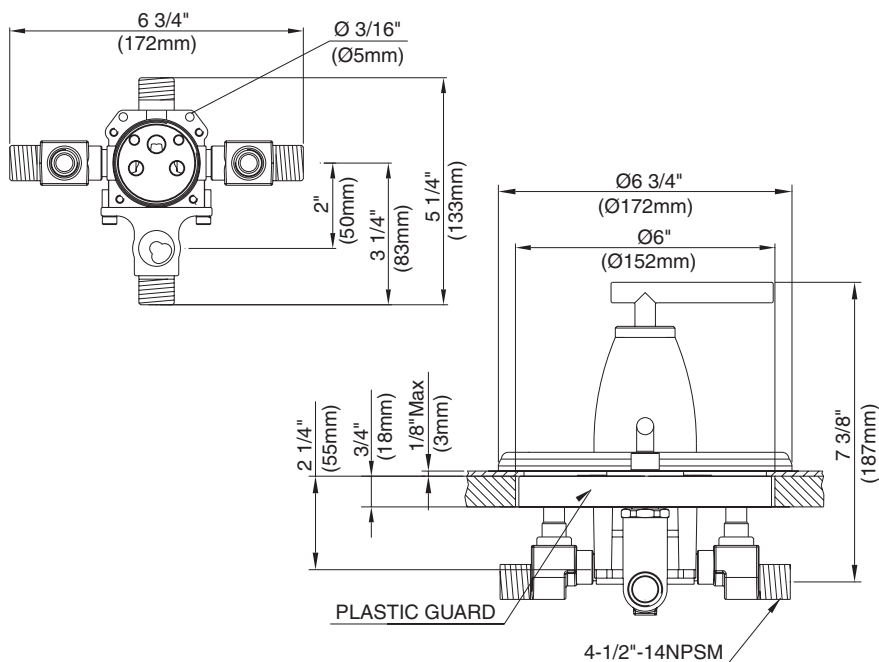
Standards

- ASME A112.18.1
- CSA B125
- ASSE 1016
- Listed IAPMO/UPC
- Energy policy act of 1992
- ADA Accessibility Guidelines for Buildings and Facilities - 4.27.4 Controls and Mechanisms

Warranty

Danze products are covered by a manufacturer's limited "lifetime" warranty for manufacturing defects.

W/DIVERTER & STOPS



D504054 (shown)
SONORA™

With Diverter & Stops:
D504054 (Tub/Shower)

With Stops:
D504554 (Shower only)

Available Colors & Finish

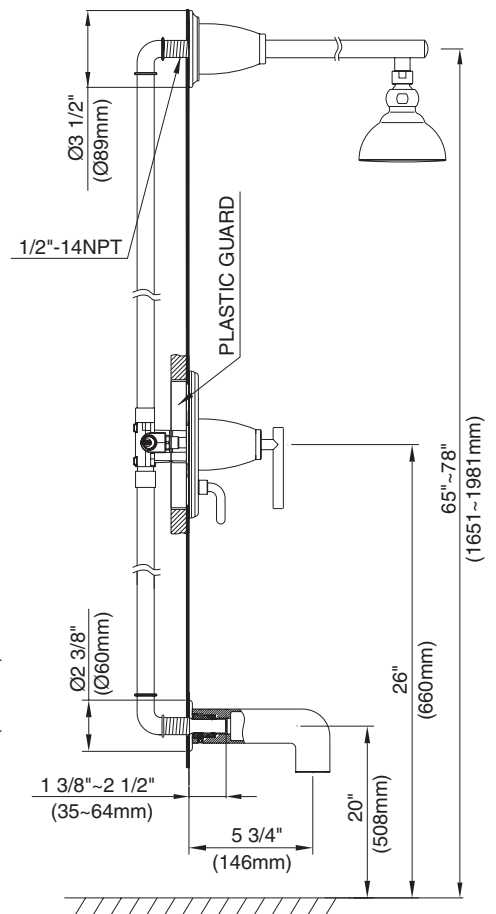
- Chrome
- Brushed Nickel (BN)
- Chrome w/Satin Nickel Accents (CSN)

Trim Kits: (for use w/pressure balance valves)

- D504054T (Tub/Shower trim)
- D504554T (Shower only trim)
- D500654T (Tub trim w/valve escutcheon)

Special Packaging

- This product also available with valve packaged separate from trim.
- Tub & Shower Trim Kit - use w/valve: D113000BT (w/diverter & stops)
- Shower Only & Tub Trim Kit - use w/valve: D112000BT (w/stops) or D115000BT (w/o stops)
- Pressure Balance Valves are combination 1/2" copper sweat, 1/2" NPT threaded connectors for all ports.



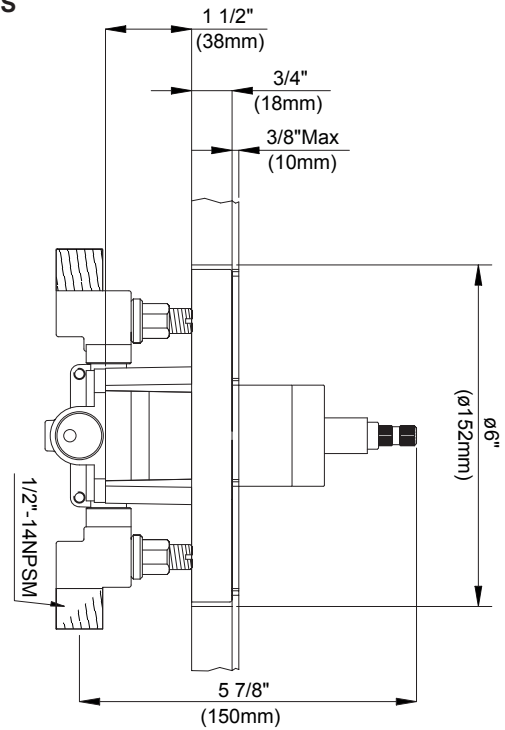
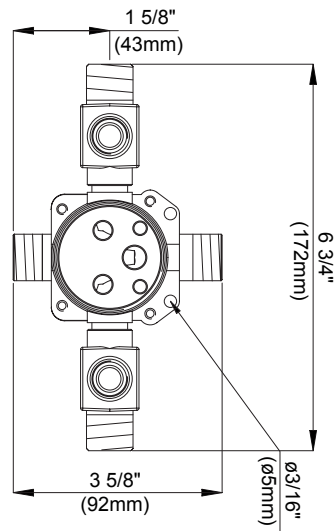
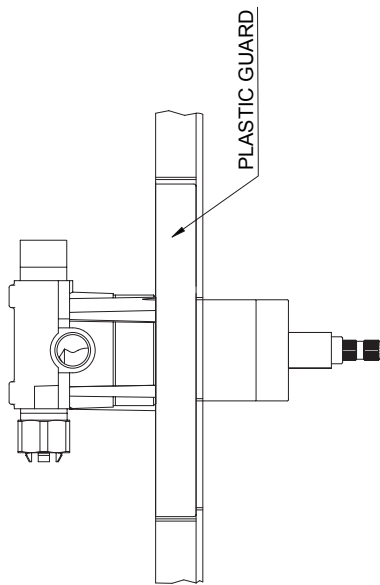
Specific Features: _____ Submitted Model No.: _____

SD504054/07-05.01

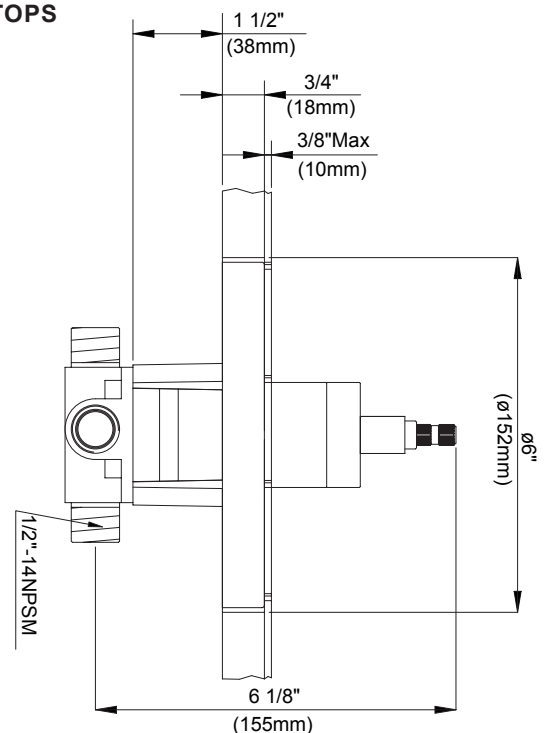
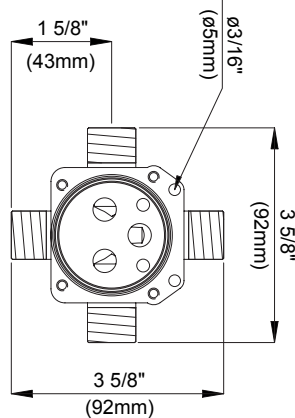
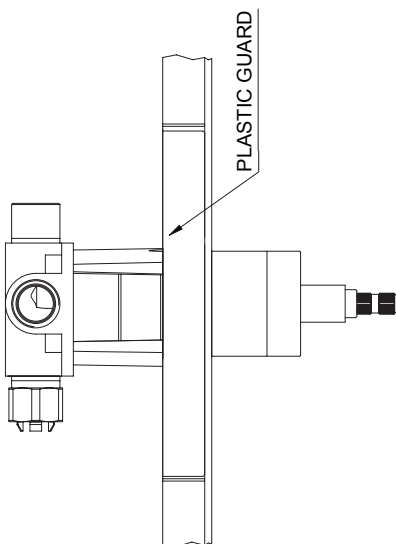
SINGLE HANDLE PRESSURE BALANCE TUB & SHOWER VALVES

Critical Dimensions : Rough-in valve D112000BT (w/stops) & D115000BT (w/o stops)

W/SCREWDRIVER STOPS



LESS/SCREWDRIVER STOPS



Specific Features: _____ Submitted Model No.: _____