

# SPECIFICATIONS

## GENERAL

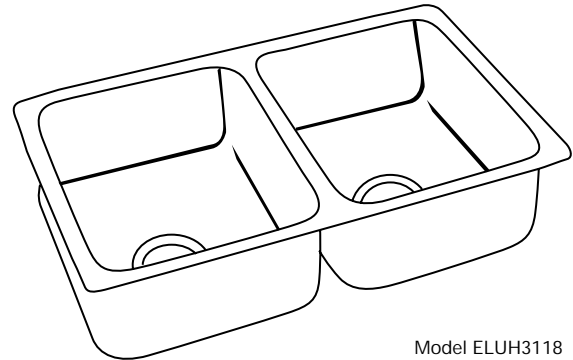
Highest quality sink seamlessly drawn of #18 gauge, type 304 (18-8) nickel bearing stainless steel. Underside of sink is fully protected by heavy duty Sound Guard™ undercoating. Designed to accept waste disposer.

## DESIGN FEATURES

Bowl Depths: 7-5/8" (ELUH3118), 10" (ELUH311810).  
Finish: Exposed surfaces are hand blended to a lustrous highlighted satin finish.  
Underside: Underside of sink is fully protected by heavy duty Sound Guard™ undercoating to prevent condensation and deaden sound.

## OTHER

Drain Opening: 3-1/2".  
Note: All Elkay custom design undermount sinks are designed to affix easily to the underside of any solid surface countertop.



Model ELUH3118

## OPTIONAL ACCESSORIES

Rinsing Baskets: LKRB1611, VB1816 and LKERBSS.  
Bottom Grid: LKBG1613.  
Cutting Boards: CB1613, CBR1316 and CBS1316.

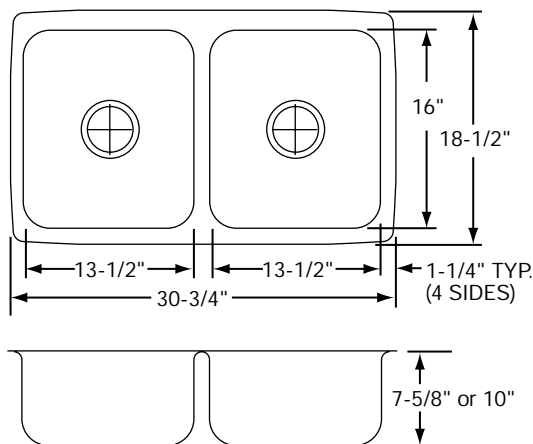
Complies with ANSI Standard A112.19.3M.

## SINK DIMENSIONS (INCHES)\*

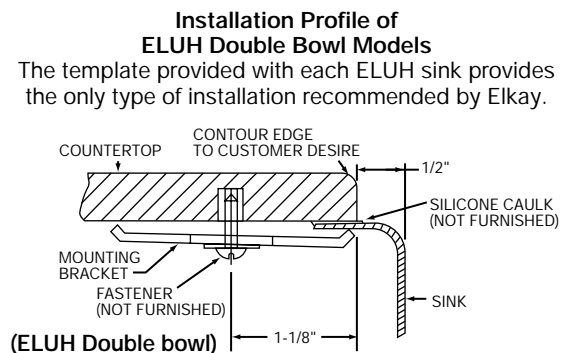
Model Number	Overall		Inside Each Bowl			Cutout in Countertop	Ship. Wt. Lbs.
	L	W	L	W	D		
ELUH3118	30 <sup>3</sup> / <sub>4</sub>	18 <sup>1</sup> / <sub>2</sub>	13 <sup>1</sup> / <sub>2</sub>	16	7 <sup>5</sup> / <sub>8</sub>	See Template**	21
ELUH311810	30 <sup>3</sup> / <sub>4</sub>	18 <sup>1</sup> / <sub>2</sub>	13 <sup>1</sup> / <sub>2</sub>	16	10		21

\*Length is left to right. Width is front to back.

\*\*Template and countertop mounting clips are packed with every sink.



Model ELUH3118 Illustrated



ALL DIMENSIONS IN INCHES, TO CONVERT TO MILLIMETERS MULTIPLY BY 25.4.

*In keeping with our policy of continuing product improvement, Elkay reserves the right to change product specifications without notice.*

*This specification describes an Elkay product with design, quality and functional benefits to the user. When making a comparison of other producers' offerings, be certain these features are not overlooked.*