

ELKAY[®]

SPECIFICATIONS

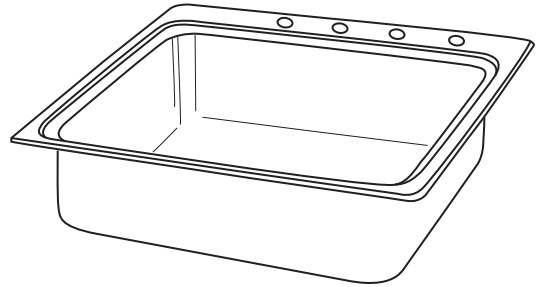
Gourmet Sink with Perfect Drain™ Models LR2522PD

GENERAL

Highest quality sink formed of #18 (1.2mm) gauge, type 304 (18-8) nickel bearing stainless steel with **Perfect Drain**. Top mount.

DESIGN FEATURES

Bowl Depth: 8-1/8" (203mm), Overall 9-5/8" (244mm)
Coved Corners: 1-3/4" (44mm) vertical and horizontal radius.
Rim Height: 3/8" (10mm)
Finish: Exposed surfaces are hand polished to a Lustrous Highlighted Satin finish.
Underside: Fully protected by Sound Guard[®] undercoating to reduce condensation and dampen sound.



Model LR2522PD4

Perfect Drain: Seamlessly welded stainless steel collar eliminates the gap between a traditional drain and the sink for a sanitary and gap free installation. Each sink shipped with one LKPD1 drain kit, or a garbage disposer can be installed for user convenience.

Patent Pending

OTHER

Drain opening: 3-3/8" (86mm)
Waste Fitting complies with ASME A112.18.2/CAN/CSA-B125.2
Sink complies with ASME A112.19.3-2008 / CSA B45.4-08.



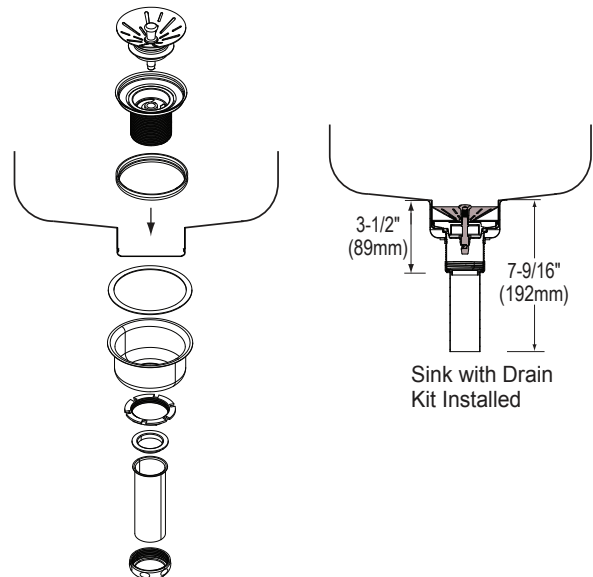
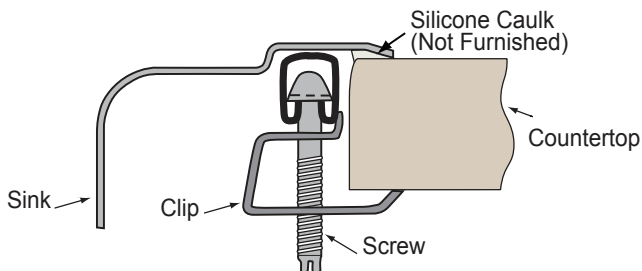
These sinks are listed by the International Association of Plumbing and Mechanical Officials as meeting the requirements of the Uniform Plumbing Code and the National Plumbing Code of Canada.



OPTIONAL ACCESSORIES

Bottom Grids: LKWBG2115SS
Cutting Boards: CB1516
Rinsing Baskets: LKWRB2115SS, LKWERBSS
Utensil Caddy for Rinsing Basket: LKWUCSS

Installation Profile



In keeping with our policy of continuing product improvement, Elkay reserves the right to change product specifications without notice. Please visit elkayusa.com for most current version of Elkay product specification sheets.

This specification describes an Elkay product with design, quality and functional benefits to the user. When making a comparison of other producers' offerings, be certain these features are not overlooked.

Elkay

elkayusa.com

2222 Camden Court
Oak Brook, IL 60523

Printed in U.S.A.
©2011 Elkay

(Rev. 09/11) 1-398A

ELKAY[®]

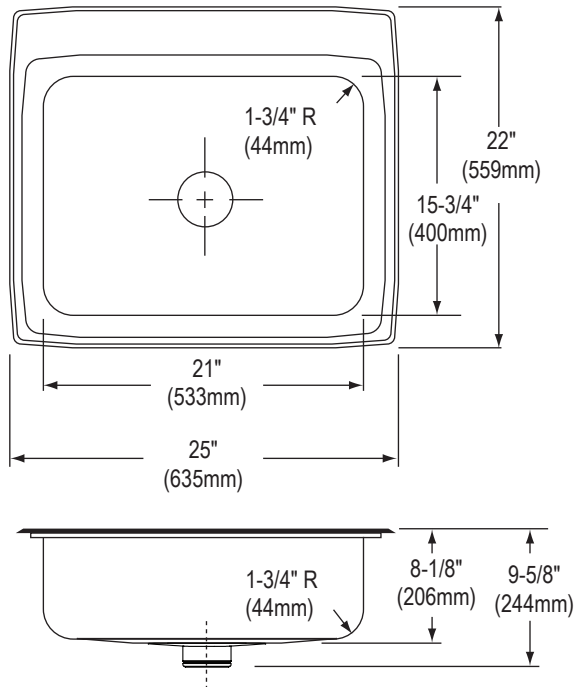
SPECIFICATIONS

**Gourmet Sink
with Perfect Drain™
Models LR2522PD**

SINK DIMENSIONS*

Model Number	Overall			Inside Bowl			Cutout in Countertop (1-1/2" (38mm) Radius Corners)		No. of 1 1/2" (38mm) Dia. Faucet Holes 4" (102mm) Center	Minimum Cabinet Size
	L	W	D	L	W	D				
LR2522PD	25 (635mm)	22 (559mm)	9-5/8 (244mm)	21 (533mm)	15-3/4 (400mm)	8-1/8 (206mm)	24-3/8 (619mm)	21-3/8 (543mm)	1, 2, MR2, 3, 4, or 5	30 (762mm)

*Length is left to right. Width is front to back.



in sink erator[®]

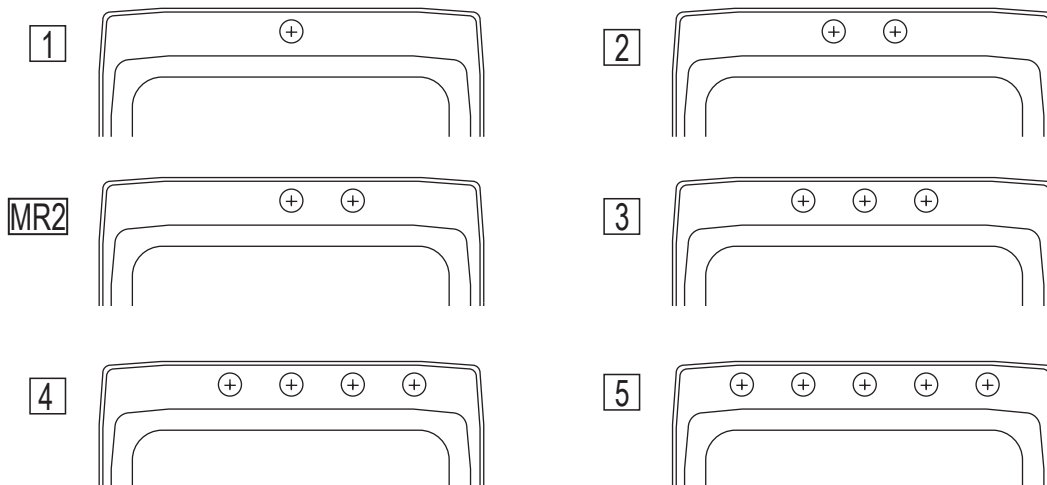
Elkay[®] Perfect Drain™ sinks are designed and approved for compatible disposers manufactured by InSinkErator[®] utilizing the Quick Lock[®] mounting configuration. Use of non-approved disposers may void Elkay warranty.

InSinkErator, Quick Lock and the mounting collar configuration are trademarks of Emerson Electric Co.



Hole Drilling Configurations

1-1/2" (38mm) Diameter Faucet Holes on 4" (102mm) Centers



In keeping with our policy of continuing product improvement, Elkay reserves the right to change product specifications without notice. Please visit elkayusa.com for most current version of Elkay product specification sheets.

This specification describes an Elkay product with design, quality and functional benefits to the user. When making a comparison of other producers' offerings, be certain these features are not overlooked.