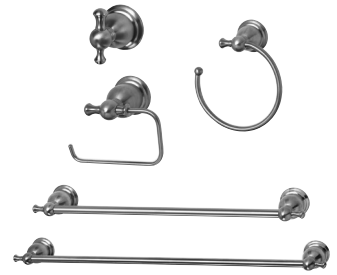


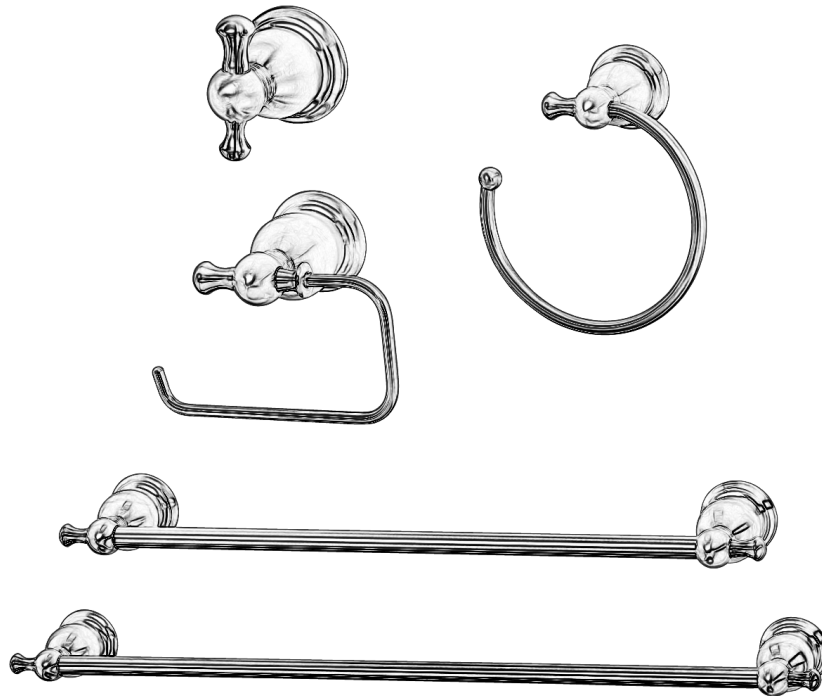
Instructions

50-10000 – Chrome Robe Hook
50-15000 – Chrome Paper Holder
50-17000 – Chrome Towel Ring
50-18000 – Chrome 18" Towel Bar
50-24000 – Chrome 24" Towel Bar

50-10000-BN – PVD Brushed Nickel Robe Hook
50-15000-BN – PVD Brushed Nickel Paper Holder
50-17000-BN – PVD Brushed Nickel Towel Ring
50-18000-BN – PVD Brushed Nickel 18" Towel Bar
50-24000-BN – PVD Brushed Nickel 24" Towel Bar



Bath Accessories



*Image may vary slightly from actual product

Tools Required

Phillips Screwdriver
Flat Head Screwdriver
Power Drill
1/4" Drill Bit (for dry wall)
Pencil

Maintenance

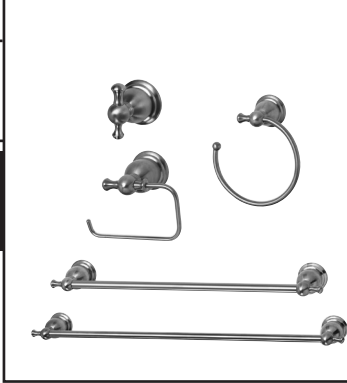
Your new bath accessory is designed for years of trouble-free performance.

Keep it looking new by cleaning it periodically with a soft cloth. Avoid abrasive cleaners, steel wool, and harsh chemicals as these will dull the finish and void your warranty.

Contact Us

For Customer Service please call 877-319-3757, or go to www.homeworksww.com.

Instructions

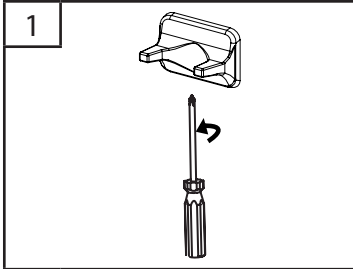


50-10000 – Chrome Robe Hook
50-15000 – Chrome Paper Holder
50-17000 – Chrome Towel Ring
50-18000 – Chrome 18" Towel Bar
50-24000 – Chrome 24" Towel Bar

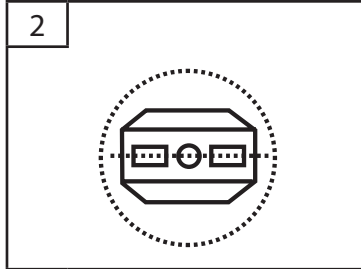
50-10000-BN – PVD Brushed Nickel Robe Hook
50-15000-BN – PVD Brushed Nickel Paper Holder
50-17000-BN – PVD Brushed Nickel Towel Ring
50-18000-BN – PVD Brushed Nickel 18" Towel Bar
50-24000-BN – PVD Brushed Nickel 24" Towel Bar

Bath Accessories

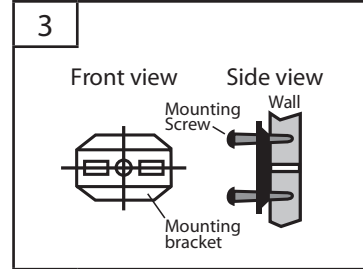
Preparation and Assembly *Images may vary slightly from actual product



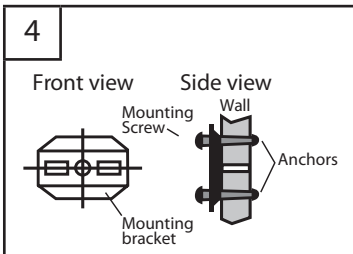
Determine desired location for your new bath accessories. Unscrew set screw at base of each post and remove mounting screws and brackets.



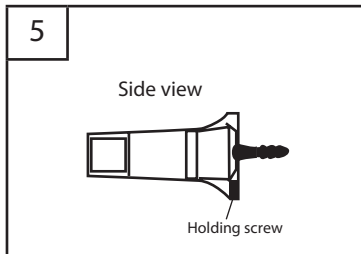
Determine desired location for your new bath accessories. Position base on wall where desired and lightly outline. Center mounting brackets horizontally in outline of posts.



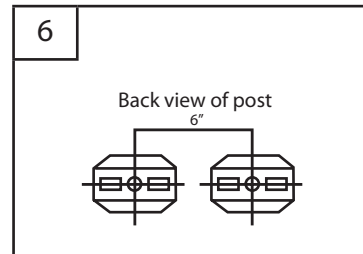
Drill 1/4" holes in drywall through the mounting screw holes. If attaching onto a wood wall, fasten mounting bracket directly to the wall with screws without pre-drilling the holes.



Push anchors into the drilled holes until flush with the wall surface. Fasten mounting bracket to the wall with mounting screws.

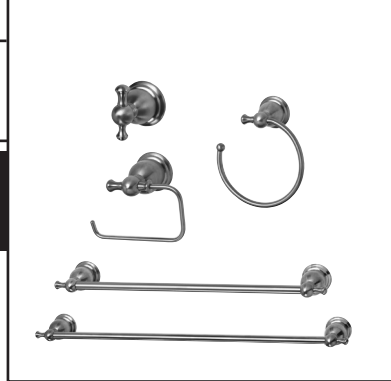


Place base over mounting bracket and tighten the holding screws.



When installing tissue paper holder, center mounting brackets as shown.

Specifications



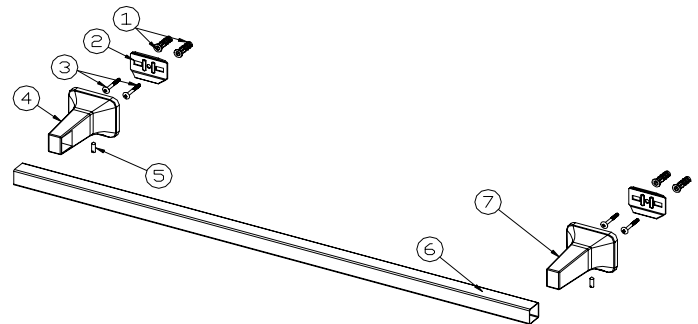
Physical Characteristics

- Description: Bath accessories
- Concealed mounting
- Zinc and aluminum construction
- Quick and easy installation

- 50-10000** – Chrome Robe Hook
- 50-15000** – Chrome Paper Holder
- 50-17000** – Chrome Towel Ring
- 50-18000** – Chrome 18" Towel Bar
- 50-24000** – Chrome 24" Towel Bar
- 50-10000-BN** – PVD Brushed Nickel Robe Hook
- 50-15000-BN** – PVD Brushed Nickel Paper Holder
- 50-17000-BN** – PVD Brushed Nickel Towel Ring
- 50-18000-BN** – PVD Brushed Nickel 18" Towel Bar
- 50-24000-BN** – PVD Brushed Nickel 24" Towel Bar

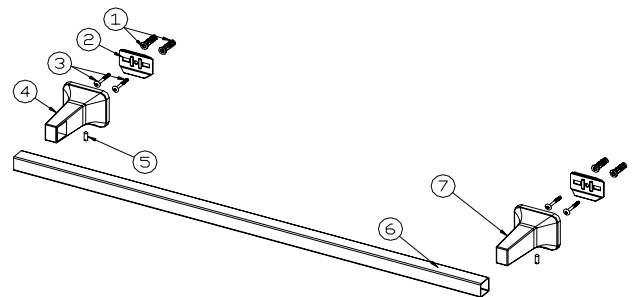
24" Towel Bar

| No. | Part Description | Material |
|-----|------------------------|----------|
| 1 | Mounting package | Steel |
| 2 | | |
| 3 | | |
| 4 | Towel bar post (left) | Zinc |
| 5 | Set screw | Steel |
| 6 | 24" towel bar | Aluminum |
| 7 | Towel bar post (right) | Zinc |



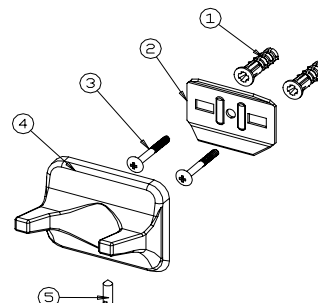
18" Towel Bar

| No. | Part Description | Material |
|-----|------------------------|----------|
| 1 | Mounting package | Steel |
| 2 | | |
| 3 | | |
| 4 | Towel bar post (left) | Zinc |
| 5 | Set screw | Steel |
| 6 | 18" towel bar | Aluminum |
| 7 | Towel bar post (right) | Zinc |



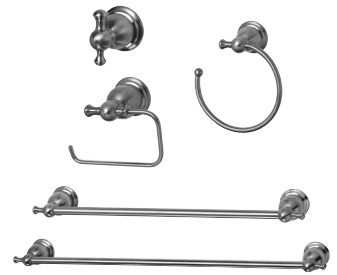
Robe Hook

| No. | Part Description | Material |
|-----|------------------|----------|
| 1 | Mounting package | Steel |
| 2 | | |
| 3 | | |
| 4 | Robe hook | Zinc |
| 5 | Set screw | Steel |



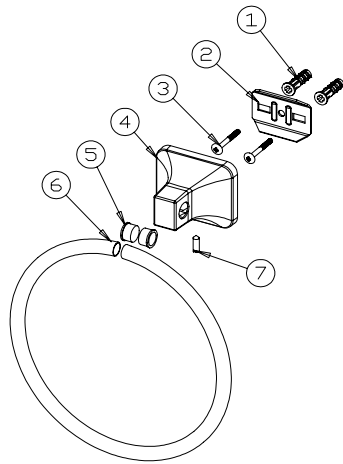
*Images may vary slightly from actual product

Specifications



Towel Ring

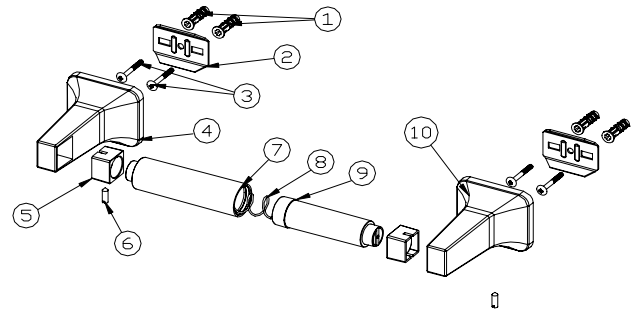
| No. | Part Description | Material |
|-----|------------------|----------|
| 1 | Mounting package | Steel |
| 2 | | |
| 3 | | |
| 4 | Towel ring post | Zinc |
| 5 | Jacket | PE |
| 6 | Towel ring | Aluminum |
| 7 | Set screw | Steel |



- 50-10000** – Chrome Robe Hook
- 50-15000** – Chrome Paper Holder
- 50-17000** – Chrome Towel Ring
- 50-18000** – Chrome 18" Towel Bar
- 50-24000** – Chrome 24" Towel Bar
- 50-10000-BN** – PVD Brushed Nickel Robe Hook
- 50-15000-BN** – PVD Brushed Nickel Paper Holder
- 50-17000-BN** – PVD Brushed Nickel Towel Ring
- 50-18000-BN** – PVD Brushed Nickel 18" Towel Bar
- 50-24000-BN** – PVD Brushed Nickel 24" Towel Bar

Paper Holder

| No. | Part Description | Material |
|-----|-------------------------------|----------|
| 1 | Mounting package | Steel |
| 2 | | |
| 3 | | |
| 4 | Paper holder bar post (left) | Zinc |
| 5 | Jacket | PE |
| 6 | Set screw | Steel |
| 7 | Tissue tube | PP |
| 8 | | |
| 9 | | |
| 10 | Paper holder bar post (right) | Zinc |



*Images may vary slightly from actual product