



LONDON TERRACE

Toilet Tissue Holder 2608

Features

- Solid brass construction
- Double-post design with spring-loaded, non-separating roller
- Complements London Terrace product series

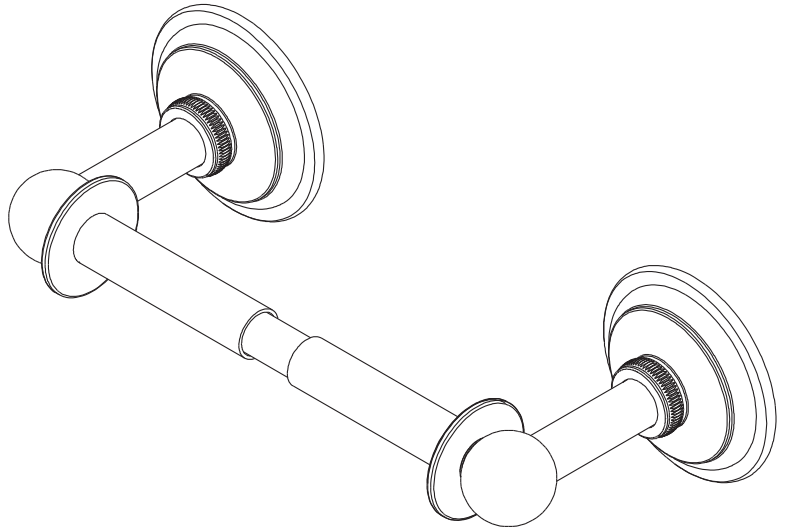
Codes / Standards Compliance

Meets or exceeds the following at date of manufacture:

- All applicable US Federal and State material regulations

Colors / Finishes

- PN: Polished Nickel
- SN: Satin Nickel
- PC: Polished Chrome
- ORB: Oil Rubbed Bronze



Specified Model

Model	Description	Colors Finishes
2608	Toilet Tissue Holder	<input type="checkbox"/> PN <input type="checkbox"/> SN <input type="checkbox"/> PC <input type="checkbox"/> ORB

Product Specification: Add "Color / Finish" Suffix to Model Number Below.

The Toilet Tissue Holder shall be made of solid brass construction and incorporate a double-post design utilizing a non-separating, spring-loaded roller. Toilet Tissue Holder shall complement motiv London Terrace product series. Toilet Tissue Holder shall be motiv Model 2608/_____.

2608

Product Dimensions *(units are in inches)*

