

**AXOR Montreux**  
**Prep Kitchen Faucet 2-Spray Pull-Down, 1.75 GPM**  
 Finishes : **polished nickel**    Part no. : **16584831**



### Features

- Swivel range 110° / 150°
- Laminar spray, needle spray
- Toggle spray diverter
- MagFit magnetic sprayhead docking
- deck mounted
- Flow: 1.75 GPM (6.6 L/Min)
- Ceramic cartridge
- 3/8" connections
- Integrated double backflow prevention

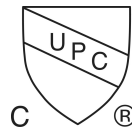
### Item details

List Price \$ 1,124.00

### Technology



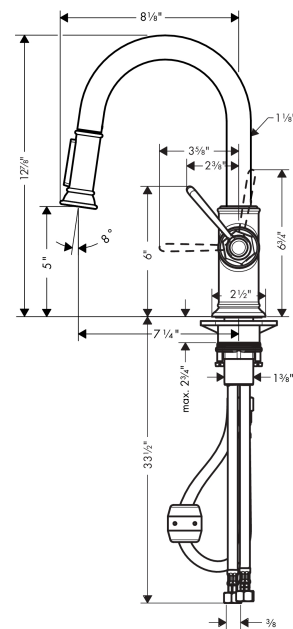
### Compliance



### Product image



### Scale drawing

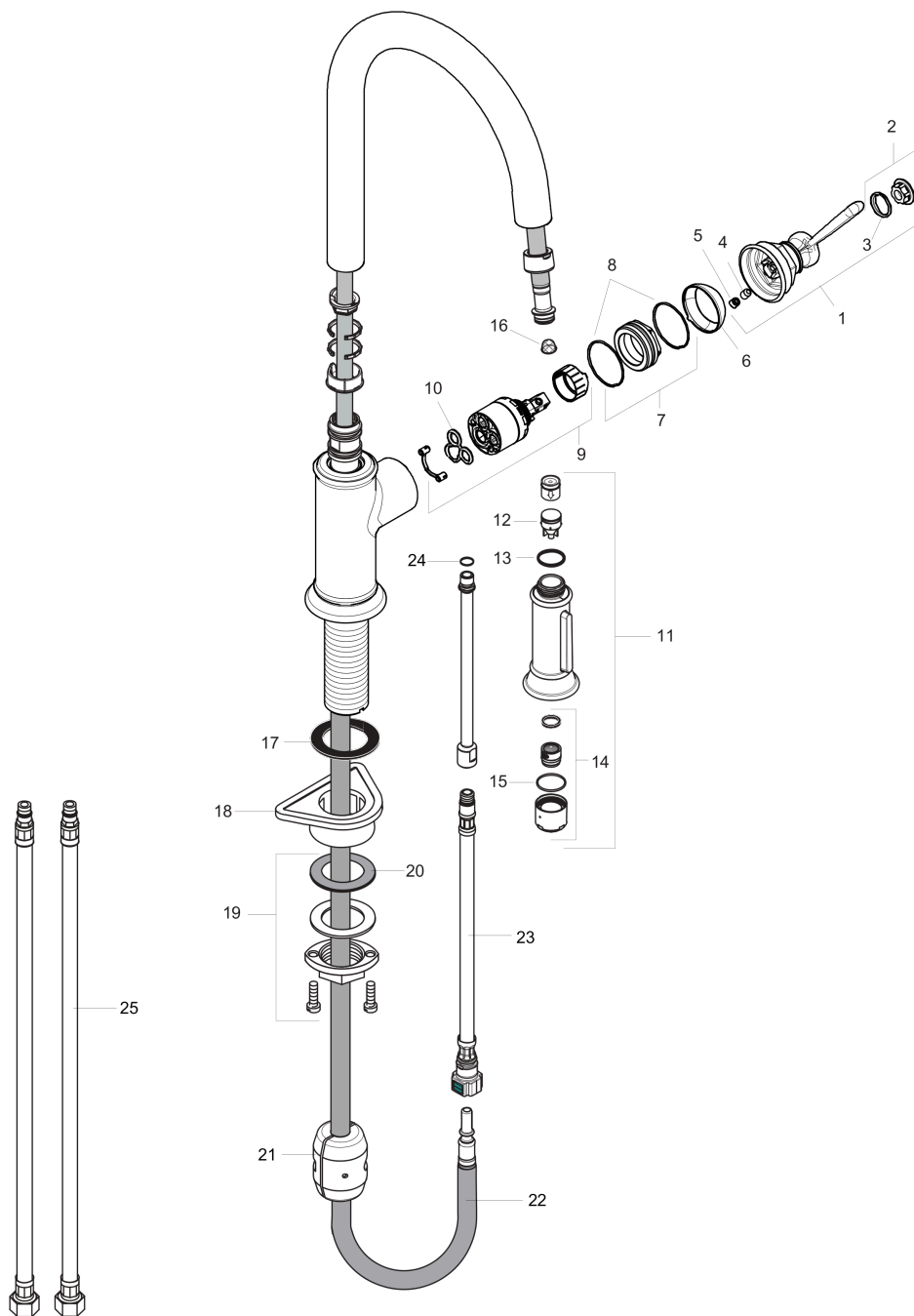


**AXOR Montreux**  
**Prep Kitchen Faucet 2-Spray Pull-Down, 1.75 GPM**  
 Finishes : **polished nickel**    Part no. : **16584831**



## Exploded drawing

Year of production: >01/18



**AXOR Montreux**  
**Prep Kitchen Faucet 2-Spray Pull-Down, 1.75 GPM**  
 Finishes : **polished nickel** Part no. : **16584831**



## Spare parts list

Year of production: >01/18

Pos.		Part no.	Price	PU
1	handle	92963830	-	1
2	cover cap	92964000	-	1
3	O-ring 16x2	98133000	-	1
4	hollow set screw M6x8	98444000	-	1
5	screw cover	96762000	-	1
6	flange	92965830	-	1
7	nut	92966000	-	1
8	O-ring 33x1,5	98164000	-	1
9	cartridge, assy	92730000	-	1
10	seal	95008000	-	1
11	handspray	92967831	-	1
12	set of non return valves DW 15	97350000	-	1
13	O-ring 18x1,5	98231000	-	1
14	aerator laminar M22x1 (15 l/min)	95909000	-	1
15	O-ring 20x1	98140000	-	1
16	filter	97735000	-	1
17	seal	92582000	-	1
18	support	97523000	-	1
19	fixing set (Ø 34)	95049000	-	1
20	lever collar	97548000	-	1
21	weight	92500000	-	1
22	hose 1,50 m	88624000	-	1
23	connection hose 600 mm M10x1	95561000	-	1
24	O-ring 8x1,75	97827000	-	1
25	connection hose 35½" M8x0,75 3/8"	96316001	-	1
a	non return valve	93218000	-	1
b	spout cpl.	93159830	-	1