

Features

- 4-inch center faucet holes.
- Oval basin.
- Overflow drain.
- Includes wall hanger.

Material

- Vitreous china.

Installation

- Wall-mount
- Drilled for concealed arm carrier installation.

Optional Accessories

K-8998 P-Trap
K-1998 Shroud

Components

Additional included component/s: Hanger (2 required).



ADA CSA B651 OBC

Codes/Standards





ASME A112.19.2/CSA B45.1
ADA
ICC/ANSI A117.1
CSA B651
OBC

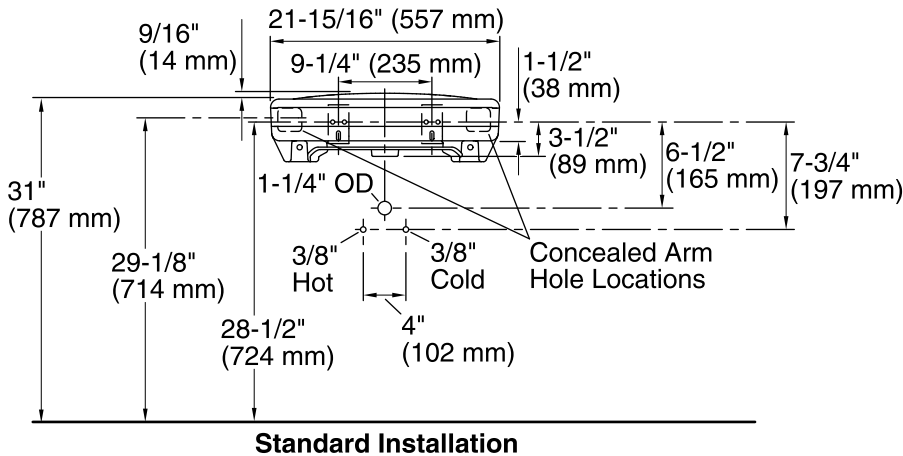
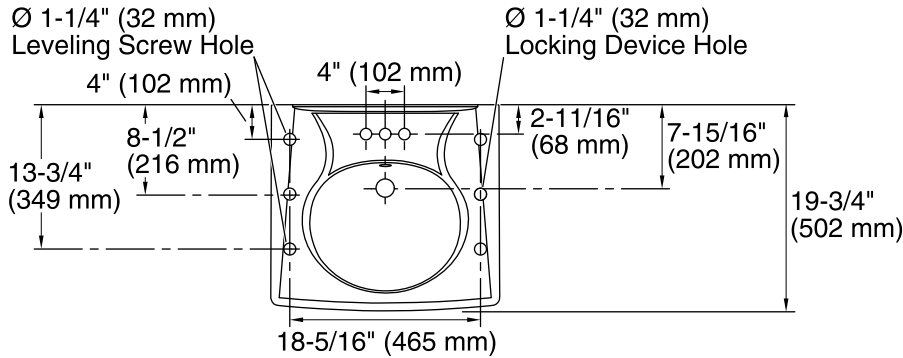
KOHLER® One-Year Limited Warranty

See website for detailed warranty information.

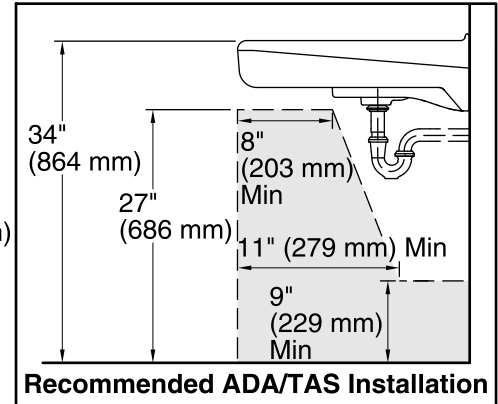
Available Color/Finishes

Color tiles intended for reference only.

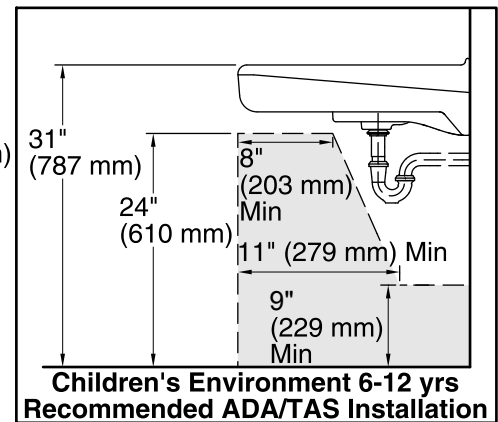
Color	Code	Description
	0	White
	96	Biscuit
	47	Almond
	7	Black Black™



Standard Installation



Recommended ADA/TAS Installation



**Children's Environment 6-12 yrs
Recommended ADA/TAS Installation**

Technical Information

All product dimensions are nominal.

Bowl configuration:	Single
Installation:	Wall-mount
Bowl area (Only)	Length: 14-3/8" (365 mm) Width: 12-5/16" (313 mm) With overflow: Yes Water depth: 3-1/4" (83 mm)
Bowl area	With overflow: Yes
Number of deck holes:	3
Faucet hole(s):	1-1/4" (32 mm)
Drain hole:	1-3/4" (44 mm)

Notes

Install this product according to the installation instructions.

ADA, OBC, CSA B651 compliant when installed to the specific requirements of these regulations.