



**Lustra™**  
Commercial Toilet Seat  
**K-4670-SC**

**Features**

- Solid polypropylene plastic.
- Elongated open-front seat.
- Without cover.
- Self-sustaining check hinge prevents slamming with check hinge functionality.
- Stainless steel mounting bolts.



**Codes/Standards**

IAPMO/ANSI Z124.5

**KOHLER® One-Year Limited Warranty**

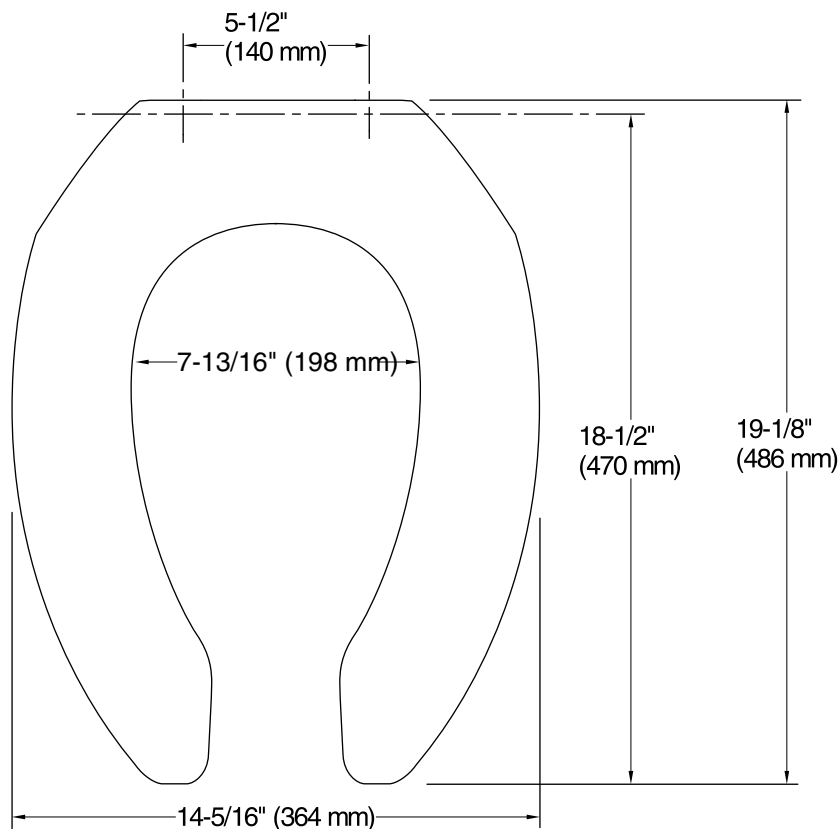
See website for detailed warranty information.

**Available Color/Finishes**

*Color tiles intended for reference only.*

**Color Code Description**

	0	White
--	---	-------



### Technical Information

All product dimensions are nominal.

Seat shape type: Elongated  
Seat front type: Open front  
Seat hinge type: Check, Self-sustaining  
Seat-mounting holes: 5-1/2" (140 mm)

### Notes

Install this product according to the installation guide.