



**Stanwell™**  
1.0 gpf Blow-out Urinal  
**K-4972-ER**

**Features**

- Blow-out
- 1-1/4" rear spud.
- Includes inlet and outlet spuds and hangers.
- 1.0 gpf (3.8 lpf).

**Material**

- Vitreous china.

**Recommended Accessories**

K-10959 Tripoint™ DC 1.0 GPF Blwout Flushometer  
K-13522 Manual 1.0 GPF Blwout Flushometer

**Optional Accessories**

18763 Spud

**Components**

Additional included component/s: 2 Outlet Spud, 1 1/4" Inlet Spud, Hanger (2 required), and 5/8" Drain Plug.



**ADA**

**Codes/Standards**





DOE - Energy Policy Act 1992  
ADA  
ICC/ANSI A117.1

**KOHLER® One-Year Limited Warranty**

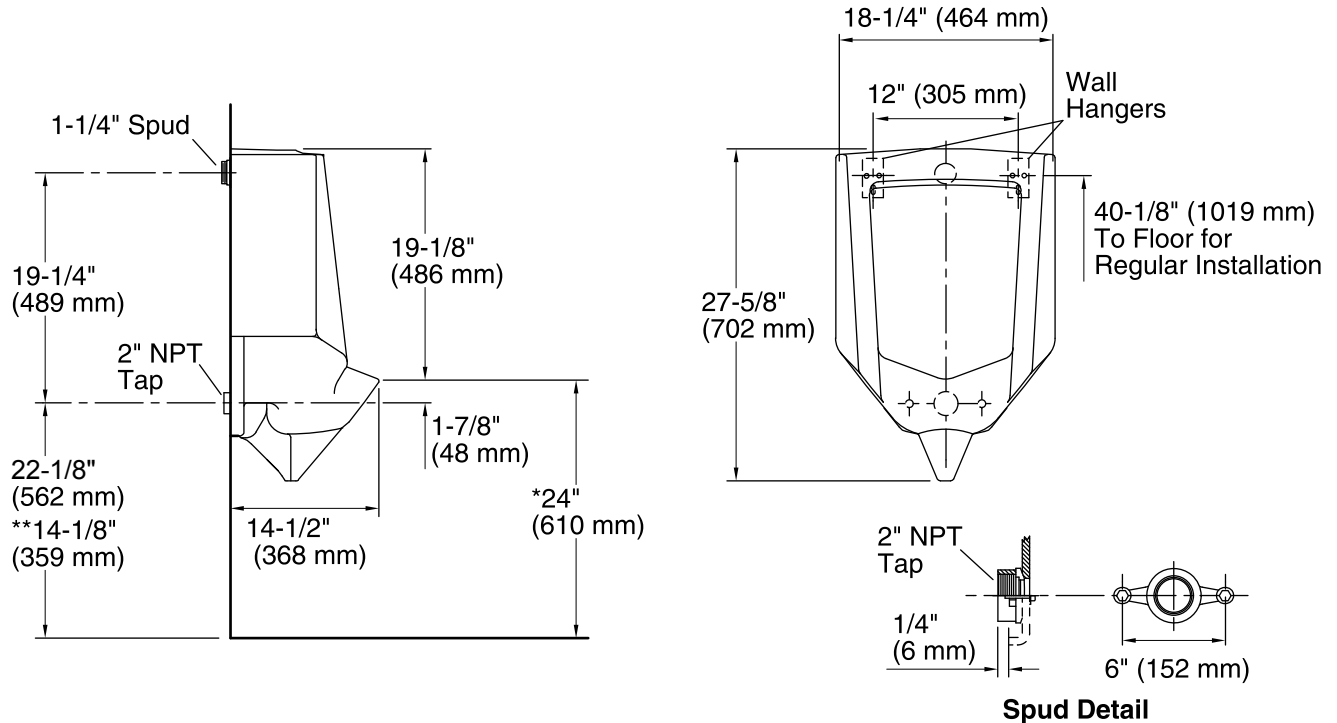
See website for detailed warranty information.

**Available Color/Finishes**

*Color tiles intended for reference only.*

Color	Code	Description
	0	White
	96	Biscuit
	47	Almond
	7	Black Black™

\*Urinal complies with ADA requirements when rim is mounted no higher than 17" (432 mm) from finished floor.  
\*\*Maximum outlet height for ADA compliance.



### Technical Information

All product dimensions are nominal.

Flush outlet technology: Blow-out

Spud size: inlet, Rear

Max. Water per Flush: 1 gal (3.8 L)

### Notes

Install this product according to the installation guide.

Refer to manufacturer's instructions and local codes for flushometer requirements.

ADA compliant when installed to the specific requirements of these regulations.