

Features

- Ash solids and veneers
- Three-way adjustable slow-close door hinges with 100-degree opening capability for easy cabinet access.
- Slow-close under-mount drawer slides for smooth opening.
- Includes decorative cabinet hardware.
- Coordinates with other products in the Tresham collection.
- Solid wood drawer with dovetail construction.



Codes/Standards



CARB P2

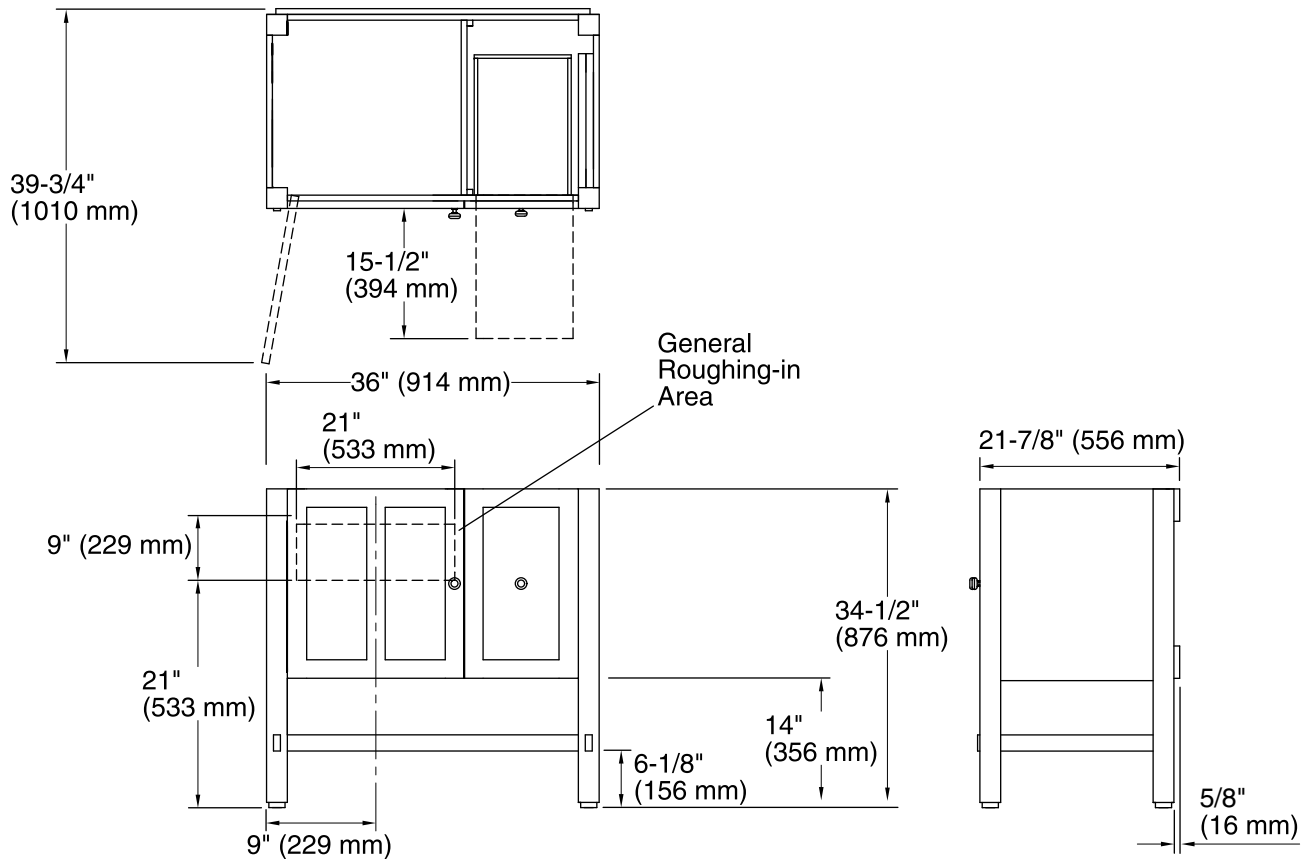
KOHLER® One-Year Limited Warranty

See website for detailed warranty information.

Available Color/Finishes

Color tiles intended for reference only.

Color	Code	Description
	1WA	Linen White
	F69	Woodland
	1WT	Mohair Grey



Technical Information

All product dimensions are nominal.

Vanity type: Standard

Notes

Install this product according to the installation guide.

The finished wall must be straight and plumb to ensure proper support of the vanity and alignment of the sink and door.

To properly support the weight of the vanity and sink, secure to stud framing or 2x6 bracing behind the finished wall.

Select 250 lb (113.4 kg) load bearing 5/16" lag bolts with a length to clear obstacles in the wall and 5/16" washers.