

Features

- Fits in the left bowl of the K-5948 Efficiency kitchen sink.
- Durable stainless-steel construction.
- Helps protect sink surface from daily wear.
- Dishwasher safe.
- Rubber feet provide added protection.



Codes/Standards


None Applicable

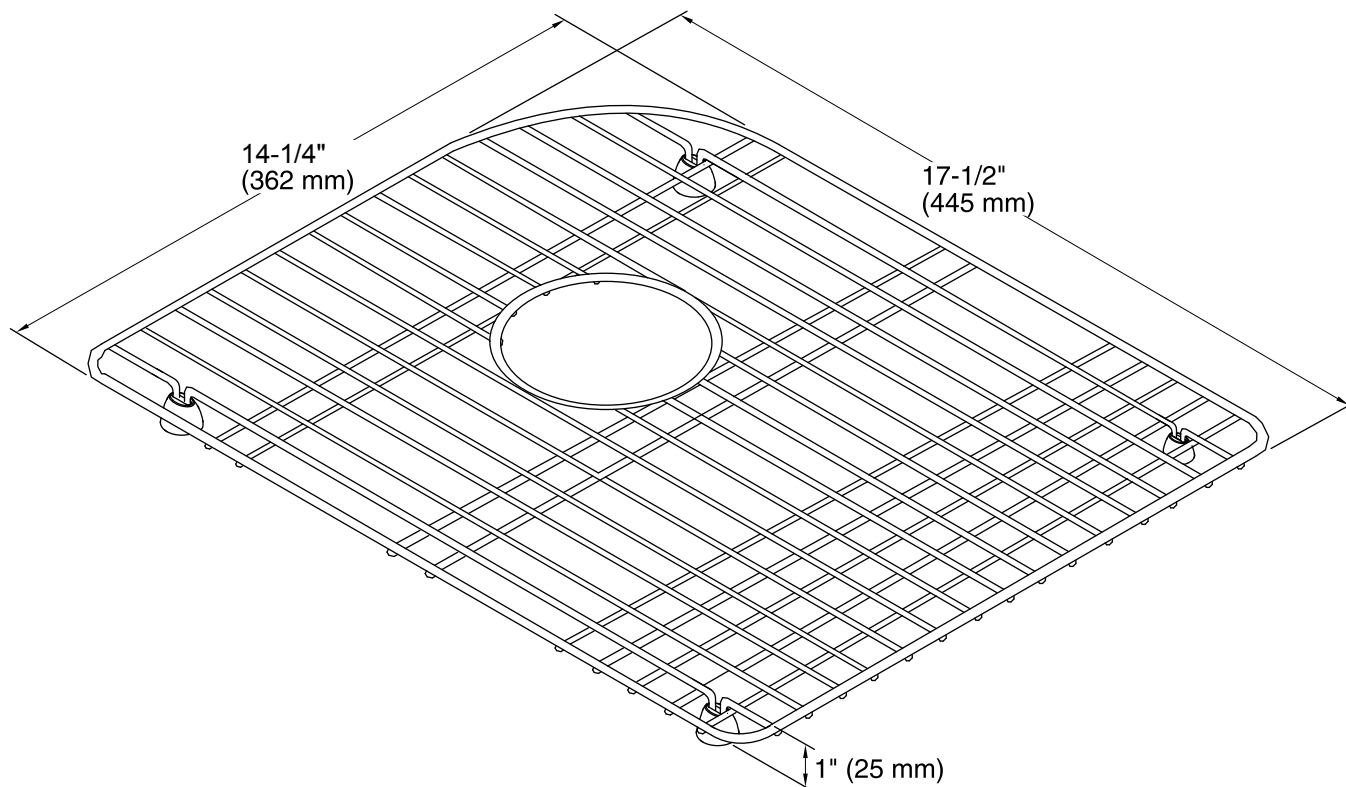
KOHLER® One-Year Limited Warranty

See website for detailed warranty information.

Available Color/Finishes

Color tiles intended for reference only.

Color	Code	Description
	ST	Stainless Steel



Technical Information

All product dimensions are nominal.