

### SHOWERHEAD K-9245-E



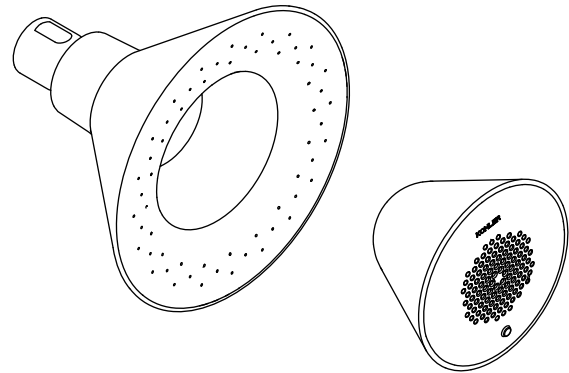
#### Features

- *BLUETOOTH® connectivity for wireless streaming of audio input*
- *Single-function showerhead with 2.0 gallon (7.6 L) per minute flow rate*
- *1/2"-14 NPT connection*
- *Optimized sprayface for maximum performance*
- *Magnetic docking for sound capsule*
- *Rechargeable lithium ion battery with USB cable*

#### Codes/Standards Applicable

Specified model meets or exceeds the following:

- *FCC Part 15*
- *ICES-003*
- *ASME A112.18.1/CSA B125.1*
- *Energy Policy Act of 1992*
- *EPA WaterSense®*



#### Colors/Finishes

- 0: White
- CP: Polished Chrome

#### Specified Model

Model	Description	Colors/Finishes	
K-9245-E	Showerhead with sound capsule	<input type="checkbox"/> 0	<input type="checkbox"/> CP

#### Product Specification

The single-function showerhead shall have BLUETOOTH connectivity for wireless streaming of audio input. Showerhead shall feature 2.0 gallon (7.6 L) per minute flow rate. Showerhead shall have 1/2"-14 NPT connection. Showerhead shall have optimized sprayface for maximum performance. Showerhead shall feature magnetic docking for sound capsule. Showerhead shall have rechargeable lithium ion battery with USB cable. Showerhead shall be Kohler Model K-9245-E-CP.

## Technical Information

Operating Temperature	32°F (0°C) - 140°F (60°C)
Maximum Relative Humidity	100% condensing
USB Cable Length	39" (1 m)
Output Power	1.5 Watts into 4 Ohms
Total Harmonic Distortion	<1% at 1kHz at full output power
BLUETOOTH® wireless range	32.8 ft (10 m)
Battery Charge Time	7 hours
Play Time*	7 hours
Charge Voltage	USB 5 V
* Actual battery life will vary with use, settings and environmental conditions. Rechargeable batteries have a limited number of charge cycles.	
The BLUETOOTH® word mark and logos are registered trademarks owned by Bluetooth SIG, Inc. and any use of such marks by Kohler Co. is under license. Other trademarks and trade names are those of their respective owners.	

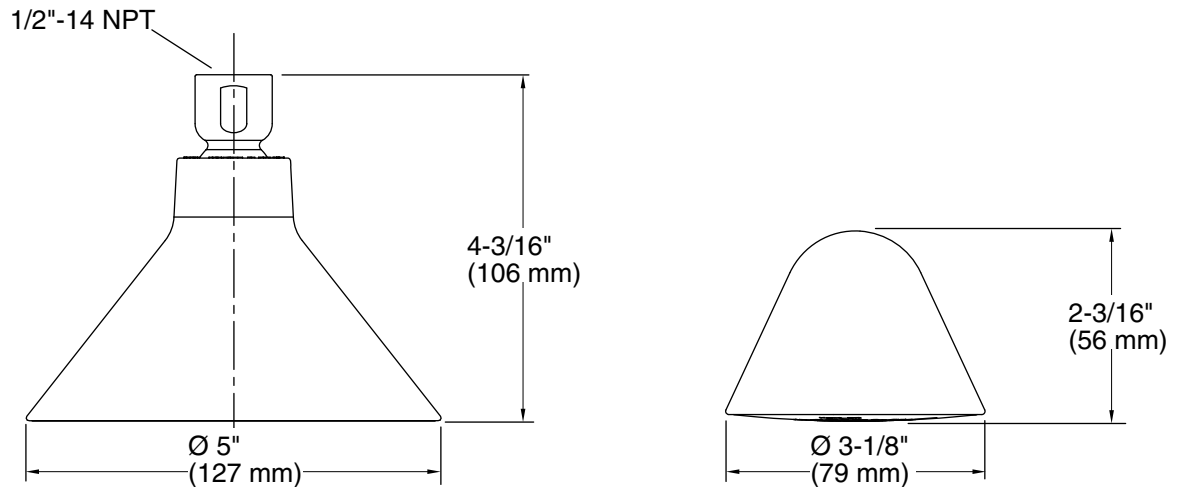
## Installation Notes

Install this product according to the installation guide.

Follow local building electrical codes.

A BLUETOOTH wireless device is required to stream music.

Choose an automatic compensating valve with the appropriate minimum flow rating to assure the safety performance of your valve at the lowest flow rates. For a showerhead or handshower that has a maximum flow rate of 2.0 gpm (7.6 lpm) and a minimum flow rate of 1.6 gpm (6.1 lpm), use an automatic compensating valve rated at 1.6 gpm (6.1 lpm) or less.



## Product Diagram