

Iso™ Technical Specification

Single Post Paper Holder

DN0709

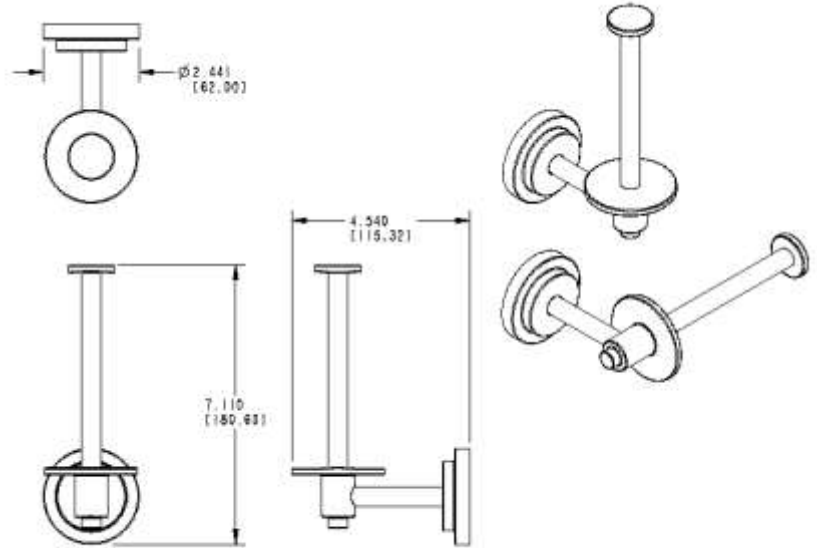
Stock Numbers:

- **DN0709BN – Single Post Paper Holder**
Brush Nickel Finish
- **DN0709CH – Single Post Paper Holder**
Chrome Finish

Materials:

Paper Holder is constructed of zinc.

Dimensions:



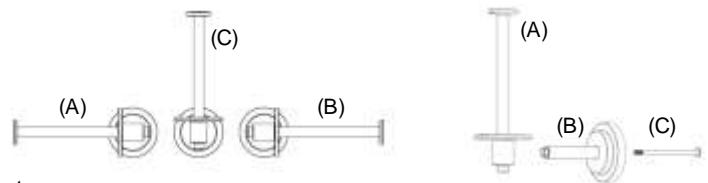
Installation Instructions:

The Paper Holder can be mounted in three positions:

- Horizontal – paper loads from left facing (A)
- Horizontal – paper loads from right facing (B)
- Vertical – paper loads from top (C)

To change the orientation of the paper holder:

- Unscrew (C) from the back of base (B) to disconnect components
- Position Paper Holder Post (A) in desired position (horizontal facing left or right, vertical)
- Re-insert Paper Holder Post (A) into base (B); ensure set screw hole on base (B) is facing down
- Insert screw (C) into back of base (B) and tighten to secure all components



Note: Directions below are for installation into drywall. If installing product in to a stud, use the wood screws only.

- 1) Remove mounting plate from product assembly by loosening the setscrew.
- 2) Position the mounting plate on the wall at desired location with "UP" facing you. Mark hole locations.
- 3) Drill 2 holes as marked using 5/16" drill bit.
- 4) Fold ends of the plastic toggle anchor together and insert into each hole in the wall.
- 5) Lightly tap anchors until flush with the wall.
- 6) One at a time, insert plastic pin into each anchor and lightly tap to activate anchor. Remove pin and repeat on other anchor.
- 7) Place the mounting plate on the wall over the installed wall anchors with "UP" facing you.
- 8) Tighten screws.
- 9) Place decorative product over the mounting plate with setscrew facing down and tighten setscrew.

Cleaning Instructions:

To preserve the fine finish of this product, clean only with a soft damp cloth. Dry well. Do not use commercial or abrasive cleaners.

Stock Number: _____ Paper Holder
By Creative Specialties



25300 AL MOEN DRIVE • NORTH OLMSTED, OH 44070
CORPORATE HEADQUARTERS: (800) 321-8809 • FAX: (800) 848-6636
INTERNATIONAL: (440) 962-2000 • FAX: (440) 962-2726
CUSTOMER SERVICE (USA): 800-882-0116 • FAX: (888) 379-2720
WWW.MOEN.COM

©Copyright Creative Specialties International

Literature #BA1531