

STEAMIST®

Steambath Control

Model: TSX-220

Product Information – TSX-220

2 year parts warranty

Preset Timer with LED Indicator

Dimensions: 3¾" x 3¾"

Designed to be used in conjunction with a TSC, TSC-250 or TSC-350 controls outside steam room only.

Package Includes: Control, 25-Ft. multi-conductor cable, 6-pin coupler, strain relief clamp, Installation and Operating Instructions.

Required Electrical Service: Low-voltage connection from TSG generator via multi-conductor cable (supplied).

Product No. - Finishes:

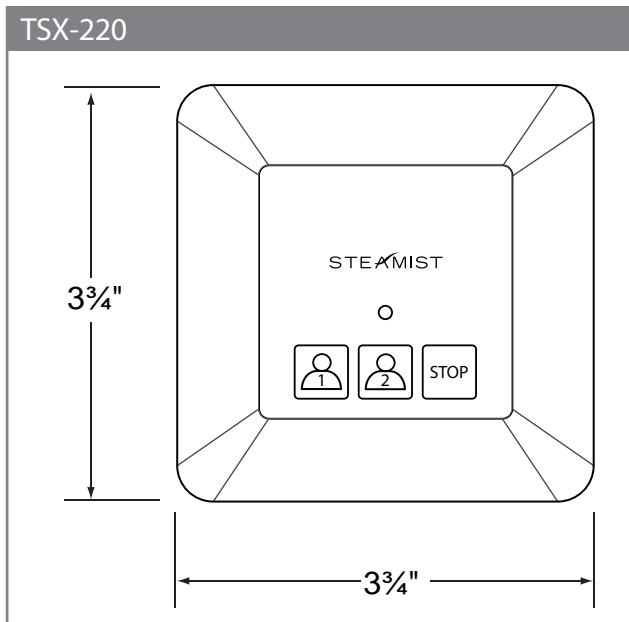
220-PC - Polished Chrome

220-PN - Polished Nickel

220-BN - Brushed Nickel

220-PB - Polished Brass

220-ORB - Oil Rubbed Bronze



Notes

Installation Notes

Surface Mount - 1½" hole required.

Mounts on outside (with TSC, TSC-250, OR TSC-350) of the steam room.

Steamist recommends that the multi-conductor cable be run through ¾" conduit to protect cable from damage and to facilitate easy replacement.

Rough-in Notes

Control should be mounted 48" above the floor.

